

## Square Wells SW Plates 2ml, 96 wells

Specification Sheet (Part/REF # 244002)



### Product description

Product for general laboratory use, DNA-RNA Free ,Square Wells SW Plates 2ml, 96 wells

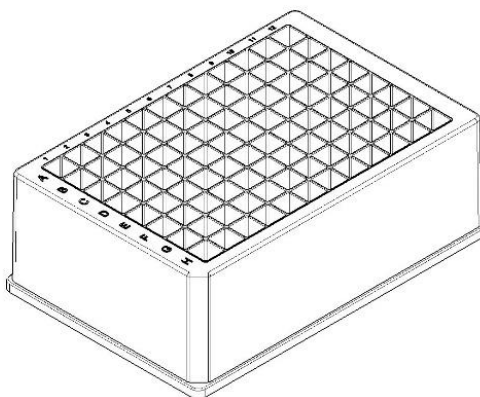
<b>Part Number</b>	244002
<b>Well volume</b>	2 ml
<b>Well bottom</b>	U - Bottom
<b>Plate color</b>	clear
<b>Sterile</b>	no
<b>Re-usable</b>	no
<b>Patient contact</b>	no

### Materials

<b>Well</b>	PP – Polypropylene
-------------	--------------------

### Dimensions

<b>Plate Length</b>	127.76 mm
<b>Plate Height</b>	44.00 mm
<b>Plate Width</b>	85.48 mm



### Packgaging

<b>Box</b>	20 plates
------------	-----------

Specifications are subject to change without notice

Manufactured in Germany by Ritter GmbH – Disposable SW Plate Riplate® SW 96,PP, 2 ml